



## OPERATION MANUAL



### 2.1 MULTIMEDIA SPEAKER SYSTEM

# M-380

***Congratulations on your purchase of the REAL-EL speaker system!***

#### **COPYRIGHT**

© 2020. ENEL GROUP OU.

This Manual and information contained in are copyrighted. All rights reserved.

#### **TRADEMARKS**

All trademarks are the property of their legal holders.

#### **CONTENTS**

<b>1. BUYER RECOMMENDATIONS .....</b>	<b>1</b>
<b>2. PACKAGE CONTENTS .....</b>	<b>2</b>
<b>3. SAFETY PRECAUTIONS .....</b>	<b>2</b>
<b>4. TECHNICAL DESCRIPTION .....</b>	<b>2</b>
<b>5. CONNECTION .....</b>	<b>5</b>
<b>6. OPERATION MODES.....</b>	<b>5</b>
<b>7. TROUBLESHOOTING .....</b>	<b>7</b>
<b>8. TECHNICAL SPECIFICATIONS .....</b>	<b>7</b>

#### **1. BUYER RECOMMENDATIONS**

- Unpack the device carefully. Make sure there are no accessories left in the box. Check up the device for damage; if the product was damaged during transportation, address the firm, which carried out the delivery; if the product functions incorrectly, address the dealer at once.
- Check up the package contents and availability of the warranty card. Make sure the warranty card has a shop stamp, a legible signature or the seller's stamp and purchase date, and the goods number corresponds to that in the warranty card. Remember: in case of warranty card loss or discrepancy of numbers you forfeit the right for warranty repairs.
- Do not switch on the speaker system immediately after you bring it into a room from environment with negative temperature! After unpacking, the speaker system should be kept in conditions of room temperature for at least 4 hours.
- Before installing and using the speaker system, read this Manual carefully and keep it for future reference.

## 2. PACKAGE CONTENTS

- Subwoofer – 1 pc
- Satellites – 2 pcs
- Remote control (RC) – 1 pc
- Signal cable – 1 pc
- FM antenna – 1 pc
- Operation manual – 1 pc
- Warranty card – 1 pc

## 3. SAFETY PRECAUTIONS

- Do not open Multimedia Speaker System (MSS) and do not perform repairs by yourself. Service and repairs should be performed by qualified specialists in an authorized service center only. The list of authorized service centers is available at [www.real-el.com](http://www.real-el.com)
- Do not put foreign objects inside the holes of the MSS.
- Protect the MSS from high humidity, water and dust.
- Protect the MSS from heating: do not place it closer heat source. Do not expose it to direct sunlight.
- Do not place any open flame sources on or close to MSS.
- Do not use any chemical agents for cleaning. Clean it with dry soft cloth only.
- In case of MSS does not work properly, power cable must be disconnected. Please contact place of purchase or service center.

## 4. TECHNICAL DESCRIPTION

M-380 2.1 Multimedia Speaker System (MSS) is designed to play music and sound games, movies, etc. The MSS enabling to connect to virtual to any audio source (CD/DVD-player, TV, phone, PC, etc.) without using an additional power amplifier. The MSS has a built-in FM radio, Bluetooth module and audio files player USB flash, SD card.

### Features

- Audio playback via Bluetooth
- USB flash drive, SD card
- Digital display
- FM radio
- Remote control
- Wooden case of subwoofer

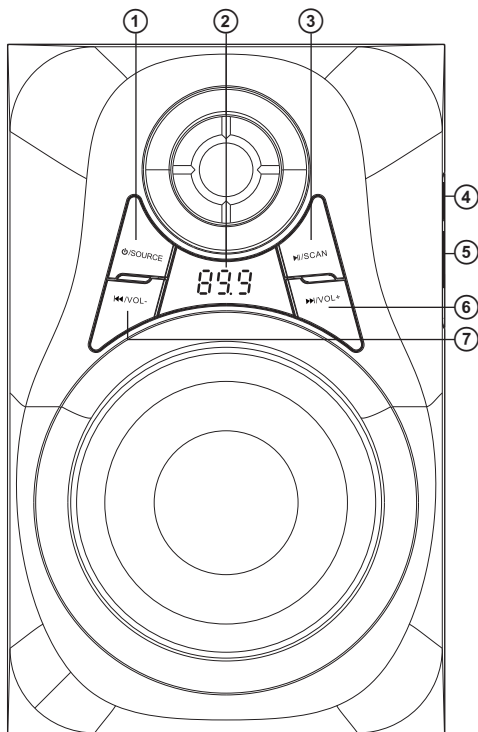


Fig. 1. Subwoofer control panel

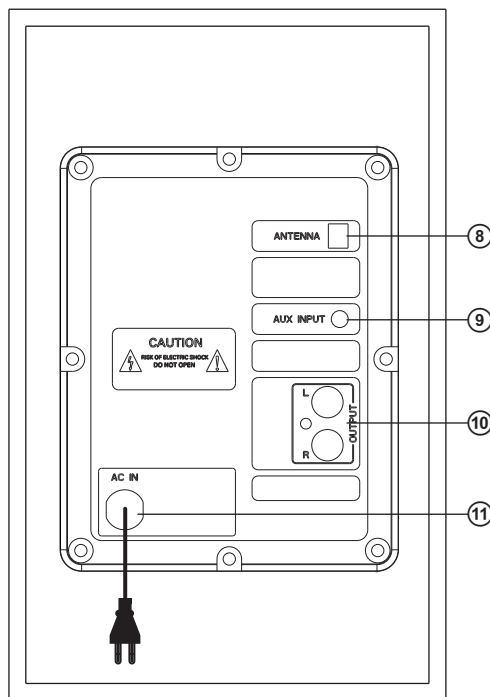


Fig. 2. Subwoofer rear panel

**Subwoofer control panels:**

- ① ⏻: On/Off (Standby mode);
- SOURCE: switch button of AUX/Bluetooth/FM/USB/SD.
- ② LED display.
- ③ ⏮/SCAN: Play/Pause (press shortly in the Player and Bluetooth mode);
- SCAN: Start/Stop auto scan (press and hold for 2-3 sec in the Radio mode).
- Bluetooth function can be forced disconnected (press and hold for 2-3 sec in the Bluetooth mode)
- ④ USB: port for a USB flash device
- ⑤ SD/MMC: slot for SD/MMC cards
- ⑥ VOL+ ⏭: next track (press shortly in the Player and Bluetooth mode);
- next station (press shortly the Radio mode);
- VOL+ volume increase button (press and hold for 2-3 sec).

- ⑦ ◀/VOL-: previous track (press shortly in the Player and Bluetooth mode);  
previous station (press shortly in the Radio mode);  
VOL-: volume decrease button (press and hold for 2-3 sec).  
⑧ FM ANT: radio antenna input jack.  
⑨ AUX: auxiliary audio input.  
⑩ OUTPUT: satellites connection.  
⑪ Power cord.

**\*Attention! USB output is for USB flash connection only!  
Do not charge any device using this port otherwise it may be damaged!**

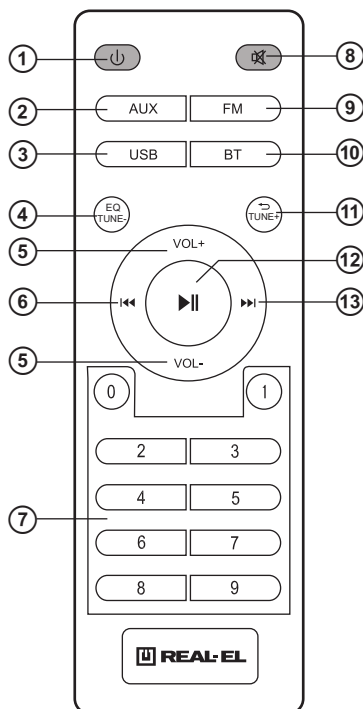


Fig. 3. Remote control

#### Remote control:

- ① ⏻: On/Off (Standby mode).  
② AUX: AUX line input mode.  
③ USB: playback audio files mode selection USB flash.  
④ EQ/TUNE-: equalizer (Player mode);  
manual radio frequency scanning;  
decrease the frequency each step is 0.1MHz by short pressing.  
long press activates auto search mode.  
⑤ VOL+/-: volume level control buttons.  
⑥ ◀: previous track (press shortly in Player and Bluetooth mode);  
previous station (press shortly in Radio mode).  
⑦ 0-9: numeric pad.  
⑧ 🔊: sound on/off.  
⑨ FM: Radio mode.  
⑩ BT: Bluetooth mode.  
⑪ ↺/TUNE+: all or one track replay;  
Increase the frequency each step is 0.1MHz by short pressing.  
long press activates auto search mode  
⑫ ▶: Play/Pause (Player mode).  
⑬ ▶▶: next track (pressed short in the Player and Bluetooth mode);  
next track (short press in Player and Bluetooth mode)

## 5. CONNECTION

### Connection MSS

M-380 speaker system can be connected to most of audio devices: DVD/CD players, PCs, laptops, etc. (see connection diagram in Fig. 4).

- Before making any connections, make sure the MSS is off and unplugged. Then connect satellites to the subwoofer OUTPUT L/R ⑩ jacks using built-in audio cables. Connect the right satellite to the subwoofer OUTPUT R and the left satellite – to the OUTPUT L (see connection diagram in Fig. 4).

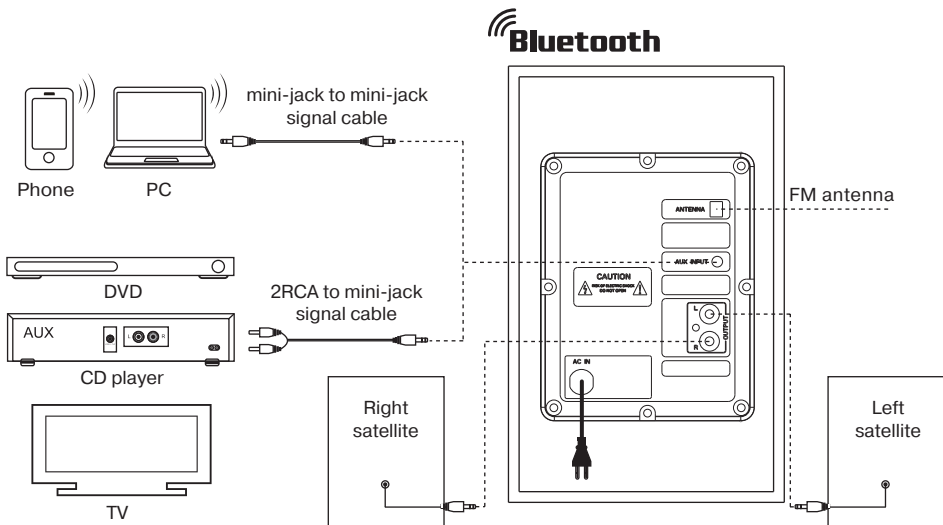


Fig. 4. Connection diagram

## 6. OPERATION MODES

### Player Mode

- The system start Player mode automatically when a storage (USB flash or SD/MMC card) is connected to corresponding ports; or press SOURCE button ① on the front panel of the subwoofer or remote control. The playback will start automatically.
- To select a track, you can directly enter its number on the remote control using the numeric pad buttons.

**Bluetooth mode**

- Select the Bluetooth mode using SOURCE button ① on the front panel of the subwoofer or BT button ⑩ on the remote control. After 2-3 seconds the speaker system starts the search mode.
- Activate Bluetooth search mode of your device (phone, notebook, smartphone, etc.). "M-380" will be displayed which should be connected to\*.
- Indicator light continuously when connection is successful. If there is no connection, indicator will blink. In this case the system should be switched over to the search mode once again (turn off and turn on Bluetooth mode)\*\*.

\* You might have to enter "0000" code to connect some models via Bluetooth.

\*\* If an item has been already registered in the device list of sources, then the second search mode activation is not needed. Choose only the item name and the "connect" command on the source.

**FM Mode**

- Use SOURCE button ① on the front panel of the subwoofer or FM button ⑨ on the remote control to enter the Tuner mode.
- Press and hold SCAN ③ on the front panel of the subwoofer or TUNE on the remote control to auto scan the stations.
- If preset radio stations are available in the memory, you can switch from one to another by short pressing buttons ⑥ and ⑦ on the front panel of the subwoofer or buttons ⑥ and ⑬ on the remote control. You can also enter the frequency or the number of the preset station using numeric pad buttons ⑦ on the remote control.

**"Line input" Mode (AUX)**

- Press SOURCE button ① on the front panel of the subwoofer or AUX button ② on the remote control to switch to the AUX mode. The display will show AUX inscription.

**MUTE Mode**

- To enter the MUTE mode, press button ⑧ on the remote control. To quit the MUTE mode press the button ⑧ repeatedly or press one of the buttons VOL +/- ⑤ on the remote control

Note. Due to the constant development of the software, the actual MSS operation may differ from described in this Manual. The most recent version of the Manual is available at [www.real-el.com](http://www.real-el.com)

## 7. TROUBLESHOOTING

Problem	Cause	Solution
The MSS does not turn on.	The MSS isn't connected to a mains outlet.	Check the connection.
	The power switch is off.	Turn on the switch.
No sound or the sound is too quiet.	Volume level is set at minimum value.	Adjust the volume control knob.
	Improperly connected audio source.	Connect the audio sources correctly.
Distortion of sound.	Large amplitude of the input signal.	Turn down the source volume and the MSS volume.
The remote control is not working.	The batteries are discharged.	Replace the batteries with new ones.

If none of the above methods can solve the problem, please seek professional advice at your nearest service center. Never attempt to repair the product yourself.

## 8. TECHNICAL SPECIFICATIONS

Parameter, measurement unit	Value
Output power (RMS), W subwoofer satellites	32 (20 + 2 × 6) 20 2 × 6
Frequency response, Hz subwoofer satellites	30 – 150 150 – 20 000
Speaker diameter, mm subwoofer satellites	Ø 127 Ø 76
Bluetooth version	4.2
Bluetooth operating range, m	up to 10
Power supply, V/Hz	~230/50
Dimensions, mm subwoofer satellites (one speaker)	150 × 248 × 283 90 × 130 × 85
Weight, kg	2.48

### Notes:

- Technical specifications given in this table are supplemental information and cannot give occasion to claims.
- Technical specifications and package contents are subject to change without notice due to the improvement of REAL-EL production.





Manufacturer: ENEL GROUP OU, Harju maakond, Rae vald, Jüri alevik, Aruküla tee 55a, 75301, Estonia.  
© Registered Trademark of ENEL GROUP OU. Estonia.